

**PARTS LIST  
SUPPLEMENT**  
for the  
**SUNBEAM ALPINE  
SERIES II**

**COMMENCING CHASSIS NUMBER**

**B9100001**

**IMPORTANT NOTE**

This Parts List Supplement should be used  
in conjunction with the Sunbeam Alpine  
Parts List, Part Number 6600719.



**Sales and Service in 160 Countries**

**A ROOTES PRODUCT**

---

ISSUED BY

---

**ROOTES MOTORS (PARTS) LTD., BIRMINGHAM, 10**

---

**PART NUMBER 6600809**

**ISSUED SEPTEMBER, 1960**

# **ROOTES MOTORS (PARTS) LTD.**

**COVENTRY ROAD, BIRMINGHAM, 10.**

---

Telephone :  
Birmingham,  
Victoria 4321

Telegrams : Rootespart, Birmingham  
Telex : Rootespart, Birmingham  
(Telex No. 33-304)

SOLE CONCESSIONAIRES FOR THE DISTRIBUTION IN GREAT  
BRITAIN AND NORTHERN IRELAND OF REPLACEMENT  
PARTS FOR CARS MANUFACTURED BY :—

## **SUNBEAM-TALBOT LTD.**

Head Office, Works and Service Department

**STOKE, COVENTRY**

Telephone :  
Coventry 52144

Telegrams and Telex :  
Rootesmoti, Coventry  
(Telex No. 31 - 561)

**A complete List of PARTS STOCKISTS IN GREAT  
BRITAIN AND NORTHERN IRELAND can be obtained  
by application to Rootes Motors (Parts) Ltd., at the  
above address.**

PART No. 6600809

*Issued September, 1960*

Page No.	Part Number	Series I Qty.	Series II Qty.	DESCRIPTION	REMARKS
				<b>ENGINE (Motor) UNIT</b> Pages 31—37	
31	5220104	1		<b>ENGINE (Motor) UNIT</b> } High ... ..	
	5220337		1	<b>ENGINE (Motor) UNIT</b> } Compression ...	
	5220283	1		<b>ENGINE (Motor) UNIT</b> } Low ... ..	
	5220338		1	<b>ENGINE (Motor) UNIT</b> } Compression ...	
				<b>Note.</b> —Engine (Motor) Units are less the following : Induction (Intake) Manifolds, Exhaust Manifolds, Carburettors, Air Cleaners, Dynamo (Generator), Fan and Belt, Ignition Coil, Spark Plugs, Distributor, Starter, Fuel Pump and Clutch Unit.	
				A reconditioned Engine (Motor) Unit is available in part exchange for the original.	
	5220097	1		<b>CYLINDER BLOCK</b> } c/w ... ..	
	5220339		1	<b>CYLINDER BLOCK</b> } Bearing Caps ...	
	P.118812	4		Cylinder liner ... ..	} For reconditioned cylinder blocks
	1206909		4	Cylinder liner ... ..	
	9803188	1		Plug (Heater), 1" B.S.P. ... ..	
	9805480		1	Plug (Heater), 1" B.S.P. ... ..	
	5107841	4		Piston complete (Standard Grade A) ... ..	} High compression
	5107842	4		Piston complete (Standard Grade B) ... ..	
	5107843	4		Piston complete (Standard Grade C) ... ..	
	5107844	4		Piston complete (Standard Grade D) ... ..	
	5107845	4		Piston complete (Standard Grade E) ... ..	
	5107846	4		Piston complete (Standard Grade F) ... ..	
	5107847	4		Piston complete (.005" Oversize) ... ..	
	5107848	4		Piston complete (.020" Oversize) ... ..	
	5107849	4		Piston complete (.040" Oversize) ... ..	
	5108388	4		Piston complete (Standard Grade A) ... ..	
	5108389	4		Piston complete (Standard Grade B) ... ..	
	5108390	4		Piston complete (Standard Grade C) ... ..	
	5108391	4		Piston complete (Standard Grade D) ... ..	
	5108392	4		Piston complete (Standard Grade E) ... ..	
	5108393	4		Piston complete (Standard Grade F) ... ..	
	5108394	4		Piston complete (.005" Oversize) ... ..	
	5108395	4		Piston complete (.020" Oversize) ... ..	
	5108396	4		Piston complete (.040" Oversize) ... ..	
	5107861	4		Compression ring (Standard) ... ..	} Top groove
	5107862	4		Compression ring (.005" O/Size) ... ..	
	5107863	4		Compression ring (.020" O/Size) ... ..	
	5107864	4		Compression ring (.040" O/Size) ... ..	} 2nd groove
	5107868	4		Compression ring (Standard) ... ..	
	5107869	4		Compression ring (.005" O/Size) ... ..	
	5107870	4		Compression ring (.020" O/Size) ... ..	} 3rd groove
	5107871	4		Compression ring (.040" O/Size) ... ..	
	5107875	4		Scraper ring (Standard) ... ..	
	5107876	4		Scraper ring (.005" O/Size) ... ..	} 3rd groove
32	5107877	4		Scraper ring (.020" O/Size) ... ..	
	5107878	4		Scraper ring (.040" O/Size) ... ..	

When ordering please quote Part and Chassis Numbers—NOT Plate Ref.

Page No.	Part Number	Series	Series	DESCRIPTION	REMARKS
		I Qty.	II Qty.		
				<b>ENGINE (Motor) UNIT—continued</b>	
				<b>ENGINE (Motor) UNIT—continued</b>	
				<b>PISTON COMPLETE—continued</b>	
32	5105645	4		Gudgeon pin (Top limit) } ...	
	5105646	4		Gudgeon pin (Medium limit) } (Standard)	
	5105647	4		Gudgeon pin (Bottom limit) } ...	
	5105648	4		Gudgeon pin (.003" O/Size) ...	
	9204011	8		Circlip—Gudgeon pin ...	
	5109400		4	Piston complete (Standard Grade A) ...	} High compression
	5109401		4	Piston complete (Standard Grade B) ...	
	5109402		4	Piston complete (Standard Grade C) ...	
	5109403		4	Piston complete (Standard Grade D) ...	
	5109404		4	Piston complete (Standard Grade E) ...	
	5109405		4	Piston complete (Standard Grade F) ...	
	5109406		4	Piston complete (.005" Oversize) ...	
	5109407		4	Piston complete (.020" Oversize) ...	
	5109408		4	Piston complete (.040" Oversize) ...	
	5109412		4	Piston complete (Standard Grade A) ...	
	5109413		4	Piston complete (Standard Grade B) ...	
	5109414		4	Piston complete (Standard Grade C) ...	
	5109415		4	Piston complete (Standard Grade D) ...	
	5109416		4	Piston complete (Standard Grade E) ...	
	5109417		4	Piston complete (Standard Grade F) ...	
	5109418		4	Piston complete (.005" Oversize) ...	
	5109419		4	Piston complete (.020" Oversize) ...	
	5109420		4	Piston complete (.040" Oversize) ...	
	5109424		4	Compression ring (Standard) ...	} Top groove
	5109425		4	Compression ring (.005" O/Size) ...	
	5109426		4	Compression ring (.020" O/Size) ...	
	5109427		4	Compression ring (.040" O/Size) ...	} 2nd groove
	5109431		4	Compression ring (Standard) ...	
	5109432		4	Compression ring (.005" O/Size) ...	
	5109433		4	Compression ring (.020" O/Size) ...	} 3rd groove
	5109434		4	Compression ring (.040" O/Size) ...	
	5109438		4	Scraper ring (Standard) ...	
	5109439		4	Scraper ring (.005" O/Size) ...	} Big end
	5109440		4	Scraper ring (.020" O/Size) ...	
	5109441		4	Scraper ring (.040" O/Size) ...	
	5109445		4	Gudgeon pin (Top limit) ...	} (Standard)
	5109446		4	Gudgeon pin (Medium limit) ...	
	5109447		4	Gudgeon pin (Bottom limit) ...	
	5109448		4	Gudgeon pin (.003" O/Size) ...	
	9204013		8	Circlip—Gudgeon pin ...	
	P.48568	4		<b>CONNECTING ROD, less Bearing</b> ...	
	P.103685	4		Bush—Small end ...	
	P.103686	8		Bolt, $\frac{5}{16}$ " UNF (Special) } Big end ...	
	9551053	8		Nut, $\frac{5}{16}$ " UNF (Nyloc) } end ...	
	1206880		4	<b>CONNECTING ROD, less Bearing</b> ...	
	1206882		4	Bush—Small end ...	
	1206884		8	Bolt, $\frac{11}{32}$ " UNF (Special) ...	} Alternatives
	9034026		8	Nut, $\frac{11}{32}$ " UNF (Nyloc) ...	
	9034025		8	Nut, $\frac{11}{32}$ " UNF (Oddie) ...	

When ordering please quote Part and Chassis Numbers—NOT Plate Ref.

Page No.	Part Number	Series I Qty.	Series II Qty.	DESCRIPTION	REMARKS
				<b>ENGINE (Motor) UNIT—continued</b>	
32	5105726	8		<b>ENGINE (Motor) UNIT—continued</b>	
	5105727	8		Bearing (Standard) } ... ..	
	5105728	8		Bearing (-020" U/Size) } Connecting	
	5105729	8		Bearing (-040" U/Size) } rod big end	
	5105867	1		Bearing (-060" U/Size) } ... ..	
	5105868	1		Big end bearing kit (Standard) ... ..	
	5105869	1		Big end bearing kit (-020" U/Size) ... ..	
	5109395		1	Big end bearing kit (-040" U/Size) ... ..	
	5109396		1	Big end bearing set (Standard) ... ..	
	5109397		1	Big end bearing set (-020" U/Size) ... ..	
	5109398		1	Big end bearing set (-040" U/Size) ... ..	
				Big end bearing set (-060" U/Size) ... ..	
				<b>Note.</b> —Series II big end bearings supplied in sets only, comprising engine set of 8 half bearings.	
	5107304	1		<b>CRANKSHAFT (Standard)</b> ... ..	
	5107305	1		*Crankshaft (-020" U/Size) ... ..	
	5107306	1		*Crankshaft (-040" U/Size) ... ..	
	5107307	1		*Crankshaft (-060" U/Size) ... ..	
	5109388		1	<b>CRANKSHAFT (Standard)</b> ... ..	
	5109389		1	*Crankshaft (-020" U/Size) ... ..	
	5109390		1	*Crankshaft (-040" U/Size) ... ..	
	5109391		1	*Crankshaft (-060" U/Size) ... ..	
				<b>*Note.</b> —A reconditioned crankshaft is available in part exchange for the original.	
	P.116082	1		<b>ENGINE (Motor) SUPPORT PLATE—Ft.</b>	
	1206904		1	<b>ENGINE (Motor) SUPPORT PLATE—Ft.</b>	
	P.106976	1		<b>FLYWHEEL AND STARTER RING (Gear)</b>	
	1206876		1	<b>FLYWHEEL AND STARTER RING (Gear)</b>	
				<b>Note.</b> —A reconditioned flywheel and starter ring (gear) is available in part exchange for the original.	
33	P.107857	1		<b>OIL PUMP</b> ... ..	
	1206893		1	<b>OIL PUMP</b> ... ..	
				<b>Note.</b> —A reconditioned oil pump is available in part exchange for the original.	
	P.48554	1		Driving spindle c/w rotor and vane ... ..	
	5220340		1	Driving spindle c/w rotor and vane ... ..	
34	P.48512	1		<b>OIL PIPE—Pump to Block</b> ... ..	
	9156551	2		Nut } Oil ... ..	
	9157113	2		Olive } pipe ... ..	
	1206897		1	<b>OIL PIPE—Pump to Block</b> ... ..	
	9156551		1	Nut } ... ..	
	9157113		1	Olive } Oil ... ..	
	9156551		1	Nut } pipe ... ..	
	9157113		1	Olive } ... ..	

When ordering please quote Part and Chassis Numbers—NOT Plate Ref.

Page No.	Part Number	Series I Qty.	Series II Qty.	DESCRIPTION	REMARKS
				<b>ENGINE (Motor) UNIT—continued</b>	
35	1201091	1		<b>ENGINE (Motor) UNIT—continued</b> <b>CYLINDER HEAD</b> ... ..	
	1206899		1	Gasket } Cylinder head ... ..	
36	P.112116	4		Gasket } to cylinder block ... ..	
	1206872		4	<b>INLET (Intake) VALVE</b> ... ..	
	1201903	4		<b>INLET (Intake) VALVE</b> ... ..	
	1206873		4	<b>EXHAUST VALVE</b> ... ..	
	P.48726	1		<b>EXHAUST VALVE</b> ... ..	
	1206900		1	<b>WATER PUMP UNIT</b> ... ..	
				<b>WATER PUMP UNIT</b> ... ..	
				<b>Note.</b> —A reconditioned water pump unit is available in part exchange for the original.	
	P.103627	1		Body—Impellor ... ..	
	1206901		1	Body—Impellor ... ..	
	9805031		1	Plug, $\frac{3}{8}$ " B.S.P.—Heater connection ... ..	
	P.84837	1		*Bearing unit ... ..	
	1206826		1	†Bearing unit ... ..	
	P.103641	1		*Impellor ... ..	
	1206906		1	†Impellor ... ..	
	P.86825	1		*Seal unit ... ..	
	1202716		1	†Seal unit ... ..	
37	P.48520	1		<b>WATER PUMP REPAIR KIT</b> } <b>Export</b> ...	Includes items marked * Includes items marked †
	5220342		1	<b>WATER PUMP REPAIR KIT</b> } <b>only</b> ...	
	19505181	1		Bolt, $\frac{5}{16}$ " UNF $\times$ $2\frac{1}{4}$ " } Water pump and cover	
	5220221	3	4	Bolt, $\frac{5}{16}$ " UNF $\times$ $1\frac{1}{8}$ " } plate to cylinder block	
				<b>ENGINE (Motor) AUXILIARIES</b> Pages 38—42	
38	5220136	1		<b>TOP OVERHAUL GASKET SET</b> ... ..	
	5220371		1	<b>TOP OVERHAUL GASKET SET</b> ... ..	
				<b>Note.</b> —The above Gasket Sets include cylinder head, thermostat housing, tappet cover, rocker cover, oil filler tube, carburettor, induction and exhaust manifold, water pump and expansion box gaskets and valve sealing rings.	
40				<b>FAN</b>	
	P.107799	1		Fan pulley ... ..	
	1206902		1	Fan pulley ... ..	

When ordering please quote Part and Chassis Numbers—NOT Plate Ref.

Page No.	Part Number	Series	Series	DESCRIPTION	REMARKS
		I Qty.	II Qty.		
<b>CARBURETTOR</b> Pages 46—48					
46	1046821	1		<b>CARBURETTOR—Front</b> Zenith 36WIP.2	
	1046674	1		<b>CARBURETTOR—Rear</b> ... 36WIP.2	
	1800023		1	<b>CARBURETTOR—Front</b> ... 36WIP.2	
	1800024		1	<b>CARBURETTOR—Rear</b> ... 36WIP.2	
	5037490	1		Body assembly } Front ... ... 018238	
	5037771		1	Body assembly } carburettor ... 018401	
	5037491	1		Body assembly } Rear ... 018239	
	5037772		1	Body assembly } carburettor ... 018414	
	5037493	1		Stop plate } c/w Pump ... 018279	Front Carburettor
	5037494	1		Stop plate } link and ... 018240	
	5037628		2	Stop plate } cam lever ... 018332	
	5102806	2		Metering jet (size 130) } c/w seal- 016267/130	
	5102809		2	Metering jet (size 142) } ing ring 016267/142	
	5107835	2		Choke tube (Venturi) (size 28) 018165/28	
	5107836		2	Choke tube (Venturi) (size 30) 018165/30	
<b>CARBURETTOR CONTROLS</b> Page 50					
50	1201673	1		† <b>ACCELERATOR PEDAL—R.H.D.</b> ... ..	
	1206075		1	† <b>ACCELERATOR PEDAL—R.H.D.</b> ... ..	
	1201675	1		† <b>ACCELERATOR PEDAL—L.H.D.</b> ... ..	
	1201627	1		†Clip—Operating lever—L.H.D. ... ..	
	1206080		1	† <b>ACCELERATOR PEDAL—L.H.D.</b> ... ..	
	1206158		1	†Clip—Operating lever—L.H.D. ... ..	
	1201594	1		<b>CONTROL SHAFT c/w Levers</b> ... ..	
	1206139		1	<b>CONTROL SHAFT c/w Levers</b> ... ..	
				<b>CHOKE CONTROL COMPLETE</b> ... ..	Not supplied
	5037372	1		Inner wire } ... ..	
	5038385		1	Knob and wire } ... ..	
	5037373	1		Body and tube } Choke control ... ..	
	5038386		1	Body and tube } ... ..	
P.111250	1		Knob ... } ... ..		
† See Instructions for ordering.					

When ordering please quote Part and Chassis Numbers—NOT Plate Ref.

# CLUTCH AND CONTROLS

17.16

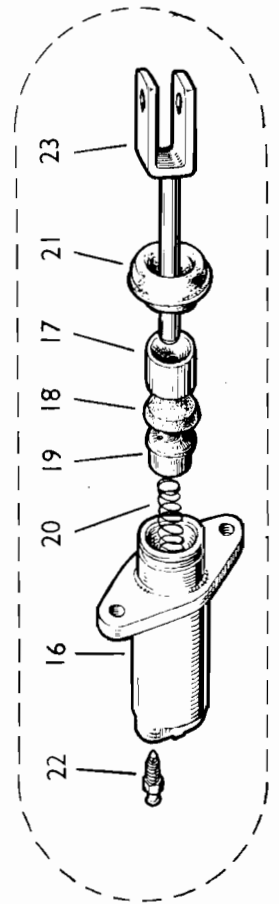
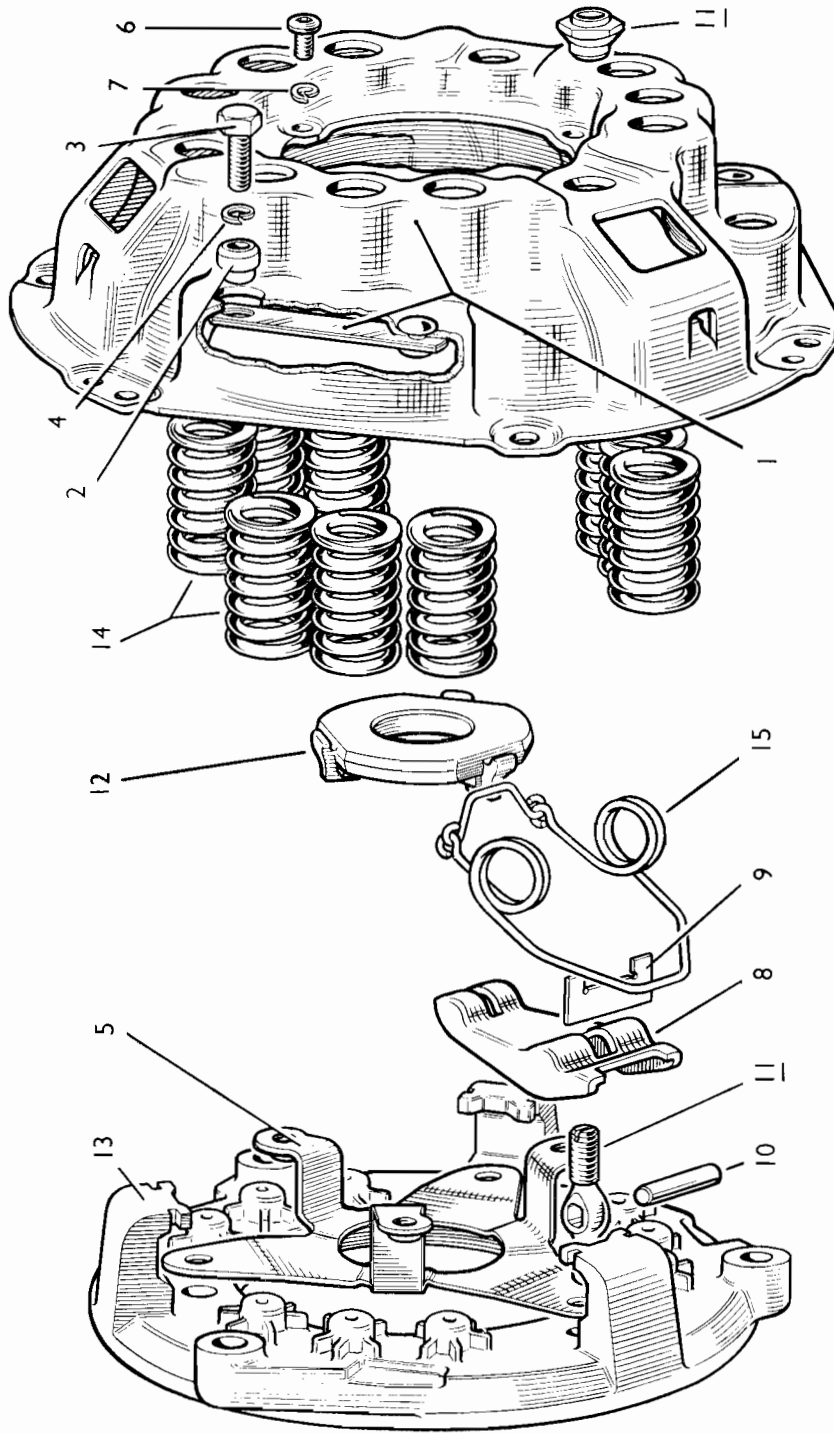




Plate Ref.	Part Number	Series I Qty.	Series II Qty.	DESCRIPTION	REMARKS
<b>CLUTCH AND CONTROLS</b>					
<b>Pages 53—55</b>					
<b>Note.</b> —Reconditioned clutch cover units are available in part exchange for the original.					
	1046593	1		<b>CLUTCH COVER ASSEMBLY</b> BB.45688/24	
	1800016		1	<b>CLUTCH COVER ASSEMBLY</b> BB.50574/11	
	K.20323	1		Cover ... .. 42460	
1	5038379		1	Cover and strap assembly ... 50573	
2	5038384		3	Ferrule ... .. } Strap to 50572	
3	9003046		3	Bolt, $\frac{5}{16}$ " UNF $\times$ $\frac{7}{8}$ " } pressure K.24405	
4	9660201		3	Washer, $\frac{5}{16}$ " spring } plate K.19208	
5	5038381		1	Spider ... .. 50566	
6	P.49364		3	Screw, Special } Spider ... 50598	
7	9660161		3	Washer, $\frac{1}{4}$ " spring } to cover ... K.19207	
	K.22755	3		Release lever ... .. 48233	
8	5038382		3	Release lever ... .. 42662	
9	K.9058	3	3	Strut ... .. 42606	
10	K.9056	3	3	Pin ... .. 42604	
11	K.20326	3	3	Eyebolt and nut ... .. 48543	
12	K.24527	1	1	Plate ... .. } Release lever 44930	
	K.3877	3		Retainer ... .. 40015	
	K.20325	1		Pressure plate ... .. 45346	
13	5038380		1	Pressure plate } ... .. 50557	
	K.21127	6		Thrust spring (Light grey) ... 47693	
14	5038377		3	Thrust spring (Dark blue/White) 40410	
	5038378		6	Thrust spring (Orange) ... .. 40225	
	K.21447	3		Anti-rattle spring ... .. 47688	
15	5038383		3	Anti-rattle spring ... .. 50569	
	P.86143	2	3	Dowel—Clutch to flywheel ... ..	
	P.108551	1		Bracket } Clutch ... ..	
	1207442		1	Bracket } withdraw lever ... ..	
	P.109951	1		Return spring—Withdraw lever ... ..	
	P.109852	1		Anchor bracket—Return spring ... ..	
	P.109952	1		<b>SLAVE CYLINDER</b> ... .. 85780	
	1203562		1	<b>SLAVE CYLINDER</b> ... .. 99363	
16				Body ... ..	See note on next page
17	K.25922	1	1	Piston ... .. 84597	Not supplied
18	K.25923	1	1	†*Cup ... .. 131	
	K.25924	1		Filler cup ... .. 30053	
19	5037786		1	Cup spreader ... .. 100480	
	K.29447	1		Spring ... .. 89500	
20	5037785		1	Spring ... .. 100479	
	K.29805	1		Push rod ... .. 92206	
21	K.25925	1	1	†*Boot ... .. 84598	
	K.25921	1		*Circlip—Boot ... .. KL.47009	
22	K.23631	1	1	Bleeder screw ... .. 28696	

When ordering please quote Part and Chassis Numbers—NOT Plate Ref.

Plate Ref.	Part Number	Series I Qty.	Series II Qty.	DESCRIPTION	REMARKS
				<b>CLUTCH AND CONTROLS—continued</b>	
23	P.48678	1		Slave Cylinder Repair Kit ... ..	Includes items marked *
	5038192		1	Slave Cylinder Repair Kit ... .. KL.71540	Includes items marked †
	1206903		1	Push rod—Slave cylinder ... .. 106991	
				<b>Note.</b> —Series II Slave Cylinder 1203562 does not include Push Rod 1206903, which should be ordered separately if required.	
	19505141	2		Screw, $\frac{5}{16}$ " UNF $\times$ $1\frac{3}{4}$ " } Slave cylinder ...	
	19105121		2	Screw, $\frac{5}{16}$ " UNF $\times$ $1\frac{1}{2}$ " } to clutch housing ...	
	P.113399	1		Jaw ... ..	
	9520050	1		Locknut, $\frac{5}{16}$ " UNF ... ..	
	9144025	1		Jaw pin ... .. Withdraw lever ...	
	9144022		1	Jaw pin ... .. to slave cylinder ...	
	9086004	1		Washer, $\frac{5}{16}$ " D.C. spring } push rod ... ..	
	9067025	1		Washer, $\frac{5}{16}$ " plain ... ..	
	9067022		1	Washer, $\frac{5}{16}$ " plain ... ..	
	1201217	1		†CLUTCH PEDAL—R.H.D. ... ..	
	1206070		1	†CLUTCH PEDAL—R.H.D. ... ..	
	1201354	1		†CLUTCH PEDAL—L.H.D. ... ..	
	1206077		1	†CLUTCH PEDAL—L.H.D. ... ..	
	1201583	1		Rubber pad—Pedal ... ..	
	1206069		1	Rubber pad—Pedal ... ..	
	1201610	1		<b>MASTER CYLINDER—CLUTCH</b> 104606	
	1206073		1	<b>MASTER CYLINDER—CLUTCH</b> 109576	
				Cylinder and tank ... ..	Not supplied
	K.25514	1	1	Filler cap ... .. 84119	
	K.26265	1	1	*Washer—Filler cap ... .. 86011	
	K.25517	1		Piston ... .. 81042	
	5037533		1	Piston ... .. 101821	
	K.25518	1	1	†*Washer—Piston ... .. 34723	
	K.26242	1	1	†*Main cup ... .. 85641	
	K.25520	1	1	†*Secondary cup ... .. 37374	
	K.29804	1	1	*Return spring ... .. 89749	
	5030173	1	1	Retainer—Return spring ... .. 92118	
	K.29578	1	1	*Circlip—Stop ... .. K.19710	
	K.25524	1	1	†*Boot ... .. 39994	
	K.29497	1		End plug ... .. 87615	
	K.29496		1	End plug ... .. 87596	} Early models only, Series II
	K.25525	1	1	*Gasket—End plug ... .. KL.44534	
	5037980	1		Push rod ... .. 104605	
	5038375		1	Push rod ... .. 109574	
	P.48769	1		Master Cylinder Repair Kit ... ..	Includes items marked *
	5038376		1	Master Cylinder Repair Kit ... .. KL.71534	Includes items marked †
		1		Split pin—Jaw pin } Master cylinder ... ..	Not supplied
	1206074		1	Spring pin—Jaw pin } to pedal ... ..	
				† See Instructions for ordering.	

When ordering please quote Part and Chassis Numbers—NOT Plate Ref.

# GEARBOX (TRANSMISSION)

1718

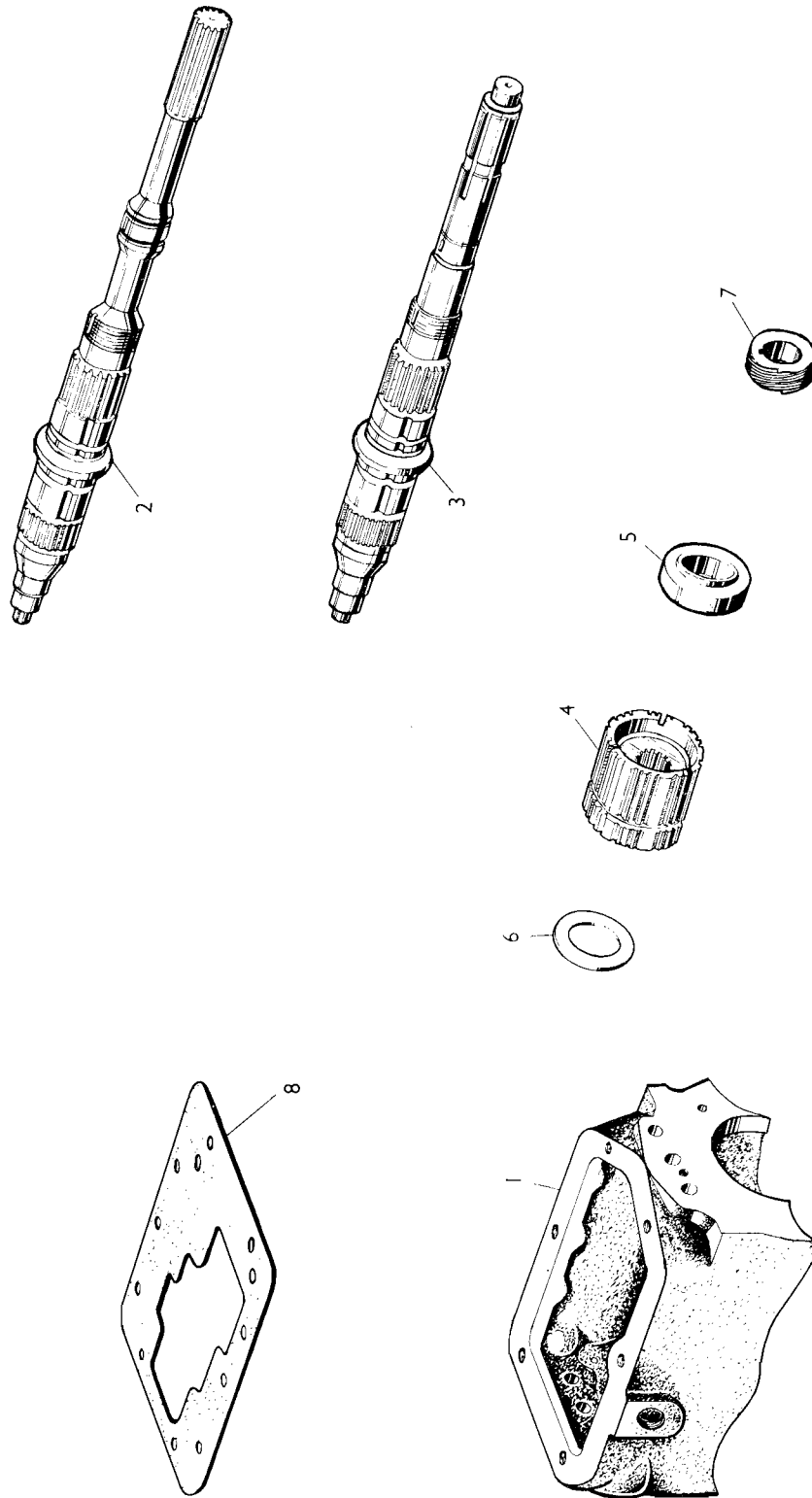


Plate Ref.	Part Number	Series I Qty.	Series II Qty.	DESCRIPTION	REMARKS
				<b>GEARBOX (Transmission) UNIT</b> Pages 57—59	
	5220288	1		<b>GEARBOX (Transmission) UNIT</b> ... ..	} Standard type } Overdrive type
	5220355		1	* <b>GEARBOX (Transmission) UNIT</b> ... ..	
	5220289	1		<b>GEARBOX (Transmission) UNIT</b> ... ..	
	5220356		1	<b>GEARBOX (Transmission) UNIT</b> ... ..	
				*Important Note.—Speedometer Driving Pinion is NOT supplied with this Gearbox Unit and must be ordered separately if required.	
1	1205165	1		Casing ... ..	} Standard type } Overdrive type
	1207164		1	Casing ... ..	
	P.108160	1		Dipstick ... ..	} Standard type } Overdrive type
2	1202356	1		<b>MAINSHAFT</b> ... ..	
	1205876		1	<b>MAINSHAFT</b> ... ..	} Standard type } Overdrive type
3	1202357	1		<b>MAINSHAFT</b> ... ..	
	1205975		1	<b>MAINSHAFT</b> ... ..	} Standard type } Overdrive type
4	1202354	1		Synchro hub ... ..	
	1205877		1	Synchro hub ... ..	} Standard type } Overdrive type
5	1202355	1		Distance piece ... ..	
	1205878		1	Distance piece ... ..	} Standard type } Overdrive type
6	1202371	1		Spring ring .115"/.116" thick ... ..	
	1202370	1		Spring ring .117"/.118" thick ... ..	} Standard type } Overdrive type
	P.109410	1		Spring ring .119"/.120" thick ... ..	
	P.109411	1		Spring ring .121"/.122" thick ... ..	} Standard type } Overdrive type
	P.109412	1		Spring ring .123"/.124" thick ... ..	
	1200445		1	Distance piece .138"/.139" thick ... ..	} Standard type } Overdrive type
	1200444		1	Distance piece .141"/.142" thick ... ..	
	1200443		1	Distance piece .144"/.145" thick ... ..	} Standard type } Overdrive type
	1200442		1	Distance piece .147"/.148" thick ... ..	
	9205019		1	Circlip ... ..	} Standard type } Overdrive type
	P.55514	1		Distance piece—Mainshaft ... ..	
	P.113467	1		<b>SPEEDOMETER DRIVING WHEEL (Gear)</b> ... ..	} Standard type
7	P.108155	1		Distance piece—Speedo. wheel ... ..	
	1207201		1	<b>SPEEDOMETER DRIVING WHEEL (Gear)</b> ... ..	} Standard type
	9213001		1	Key } Speedo. ... ..	
	9205052		2	Circlip } wheel ... ..	} Standard type
	1203056	1		<b>TOP COVER—Gearbox (Transmission)</b> ... ..	
	1205891		1	<b>TOP COVER—Gearbox (Transmission)</b> ... ..	} Standard type
8	P.113452	1		Oil shield ... ..	
	1207633		1	Oil shield ... ..	} Standard type
	P.87227	2		Joint (Gasket) ... ..	
	1205886		2	Joint (Gasket) ... ..	} Standard type
	19604061	8	6	Screw, 1/4" UNC x 3/4" ... ..	
	9664163	8	6	Washer, 1/4" shakeproof ... ..	

When ordering please quote Part and Chassis Numbers—NOT Plate Ref.

Page No.	Part Number	Series		DESCRIPTION	REMARKS
		I Qty.	II Qty.		
<b>OVERDRIVE UNIT</b> Pages 62—64					
64	P.108941 1208260	1	1	<b>ADAPTOR PLATE</b> } Overdrive ... <b>ADAPTOR PLATE</b> } to Gearbox ...	
<b>FRONT SUSPENSION</b> Pages 66—68					
66	P.109665 K.25592 K.25594 K.25593 P.109665 K.25595 K.25596 K.25597 P.43447 1207563 5038320 5038321	2 2 2 2 2 2 2 2 2 2 2 2		<b>SWIVEL BEARING—Top</b> ... Boot } Clip } Swivel bearing ... Washer } <b>SWIVEL BEARING—Top</b> ... Boot } Clip } Swivel bearing ... Washer (Dished) } Greaser—Swivel bearing ... <b>SWIVEL BEARING—Top</b> ... Boot } Swivel ... Clip—Boot } bearing ...	
68	1201405 1201406 1206004 1206005 1206136 1206137	1 1 1 1 1 1	1 1 1 1 1 1	†Locknut ("Ear" Type), O/S (R.H.) } †Locknut ("Ear" Type), N/S (L.H.) } †Hub Nut (Octagonal), O/S (R.H.) } "Knock- †Hub Nut (Octagonal), N/S (L.H.) } on" road †Locknut (Octagonal), O/S (R.H.) } wheels †Locknut (Octagonal), N/S (L.H.) } ...	Except Germany Germany only
<b>REAR AXLE</b> Pages 71—72					
71	1202246 1207471	1 1		<b>REAR AXLE UNIT</b> ... Rear axle casing ... Rear axle casing ...	Not supplied
72	1201405 1201406 1206004 1206005 1206136 1206137	1 1 1 1 1 1	1 1 1 1 1 1	†Locknut ("Ear" Type), O/S (R.H.) } †Locknut ("Ear" Type), N/S (L.H.) } "Knock- †Hub Nut (Octagonal), O/S (R.H.) } on" road †Hub Nut (Octagonal), N/S (L.H.) } wheels †Locknut (Octagonal), O/S (R.H.) } †Locknut (Octagonal), N/S (L.H.) } ...	Except Germany Germany only
<b>PROPELLOR SHAFT</b> Page 74					
74	1201273 1206094 1201411 1206095	1 1 1 1	1 1 1 1	<b>PROPELLOR SHAFT</b> ... <b>PROPELLOR SHAFT</b> ... <b>PROPELLOR SHAFT</b> ... <b>PROPELLOR SHAFT</b> ...	Standard type Overdrive type
† See Instructions for ordering.					

When ordering please quote Part and Chassis Numbers—NOT Plate Ref.

Page No.	Part Number	Series I Qty.	Series II Qty.	DESCRIPTION	REMARKS
				<b>PROPELLOR SHAFT—continued</b>	
74	5037252	2		<b>PROPELLOR SHAFT—continued</b> Journal and bearing pack ... ..	
	5038495		2	Journal and bearing pack (Greaserless type) ...	
	K.12397	8		Gasket—Journal ... ..	
	K.13970	8		Retainer—Gasket ... ..	
	K.10099	8	8	Snap ring ... ..	
	P.62288	2		Greaser—Journal ... ..	
				<b>Note.</b> —A reconditioned propellor shaft is available in part exchange for the original.	
				<b>STEERING AND CONTROLS</b> Pages 77—80	
79	P.116368	2		<b>CROSS TUBE—Outer</b> ... ..	
	K.29861	2		Socket assembly—R.H. thread ... ..	
	K.29863	2		Socket assembly—L.H. thread ... ..	
	5036981	4		Boot ... ..	
	5036982	4		Retainer—Boot ... ..	
	K.18969	4		Clip (Large) ... ..	
	P.43398	4		Greaser ... ..	
	1207438		2	<b>CROSS TUBE—Outer</b> ... ..	
	5038243		2	Socket assembly—R.H. thread ... ..	
	5038245		2	Socket assembly—L.H. thread ... ..	
	5038248		4	*Boot ... ..	
	5038249		4	*Clip—Boot ... ..	
	5038250		4	*Washer—Boot ... ..	
	P.116368	2		<b>CROSS TUBE—Outer</b> ... ..	
	K.29861	2		Socket assembly—R.H. thread ... ..	
	K.29863	2		Socket assembly—L.H. thread ... ..	
	K.29866	4		Boot ... ..	
	K.29867	4		Clip ... ..	
	5037568	4		Washer (Dished) ... ..	Was K.29868
	P.43398	4		Greaser ... ..	
	1207438		2	<b>CROSS TUBE—Outer</b> ... ..	
	5038243		2	Socket assembly—R.H. thread ... ..	
	5038245		2	Socket assembly—L.H. thread ... ..	
	5038247		4	‡Boot ... ..	
	5037604		4	‡Clip—Boot ... ..	
				*‡ <b>Note</b> —When ordering these components, identification is necessary due to alternative design.	
				*Can be identified by Boot 5038248, which has groove for external washer around ball pin shank.	
				‡Can be identified by Boot 5038247, which has an internal bonded dished washer around ball pin shank.	

When ordering please quote Part and Chassis Numbers—NOT Plate Ref.

Page No.	Part Number	Series I Qty.	Series II Qty.	DESCRIPTION	REMARKS
<b>BRAKES AND CONTROLS</b> Pages 84—88					
85	1201339	1		†MASTER CYLINDER—R.H.D. 64067501	
	1206072		1	†MASTER CYLINDER—R.H.D. 64067712	
	1201490	1		†MASTER CYLINDER—L.H.D. 3110248W	
	1206079		1	†MASTER CYLINDER—L.H.D. 64067713	
	5220156	1		Spring retainer ... .. 378111	
		1		Plunger ... .. 371514	Not supplied
	5038424		1	Spring retainer ... .. 64673391	
			1	Plunger ... .. 64673394	Not supplied
	5030673	1		Push rod assembly ... .. 391015	
	5038425		1	Push rod assembly ... .. 64673565	
<b>Note.</b> —A reconditioned Master Cylinder is available in part exchange for the original.					
86	1201217	1		†BRAKE PEDAL—R.H.D. ... ..	
	1206070		1	†BRAKE PEDAL—R.H.D. ... ..	
	1201354	1		†BRAKE PEDAL—L.H.D. ... ..	
	1206077		1	†BRAKE PEDAL—L.H.D. ... ..	
	1201583	1		Rubber pad—Pedal ... ..	
	1206069		1	Rubber pad—Pedal ... ..	
		1		Split pin—Jaw pin } Master cylinder ... ..	Not supplied
	1206074		1	Spring pin—Jaw pin } to pedal ... ..	
<b>REAR SUSPENSION</b> Pages 90—91					
90	1201466	2		<b>REAR SPRING</b> ... ..	
	5037259	2		Leaf No. 1 (Main) ... ..	
	P.54545	4		Bush—Spring eye (Front and rear) ... ..	
	5037260	4		Clip ... } 3rd ... ..	
	5037262	4		Rubber liner } leaf ... ..	
	5037261	4		Clip ... } 6th ... ..	
	5037263	4		Rubber liner } leaf ... ..	
	9007024	2		Dowel bolt ... ..	
	1206036		2	<b>REAR SPRING</b> ... ..	
<b>Note.</b> —A reconditioned rear spring is available in part exchange for the original.					
	5038343	2		Leaf No. 1 (Main) ... ..	
	P.54545	2		Bush—Spring eye (Front) ... ..	
	9199024	2		Bush—Spring eye (Rear) ... ..	
	5038344	4		Clip ... } 2nd ... ..	
	5038346	4		Rubber liner } leaf ... ..	
	5038345	4		Clip ... } 5th ... ..	
	5038347	4		Rubber liner } leaf ... ..	
	9007004	2		Dowel bolt ... ..	
†See Instructions for ordering.					

When ordering please quote Part and Chassis Numbers—NOT Plate Ref.

Page No.	Part Number	Series I Qty.	Series II Qty.	DESCRIPTION	REMARKS
				<b>REAR SUSPENSION—continued</b>	
90	1201487	2		Location plate	
	1206050		2	Location plate	
	1201484	2		Clamp plate	} Spring to rear
	1207239		2	Clamp plate	
	9009080	4		"U" bolt	} axle casing
	9009081		4	"U" bolt	
	9003091	2		Bolt, $\frac{7}{16}$ " UNF	} Spring eye (rear)
	19107302		2	Bolt, $\frac{7}{16}$ " UNF $\times 3\frac{3}{4}$ "	
	P.54548	2		Shackle	
	1206045		2	Shackle	
	P.54545	2		Bush—Shackle	
	9199024		2	Bush—Shackle	
	9003091	2		Bolt, $\frac{7}{16}$ " UNF	} Shackle
	19107302		2	Bolt, $\frac{7}{16}$ " UNF $\times 3\frac{3}{4}$ "	
	1201270	1		†SHOCK ABSORBER, O/S (R.H.)	} c/w Link
	1201271	1		†SHOCK ABSORBER, N/S (L.H.)	
	1206130		1	†SHOCK ABSORBER, O/S (R.H.)	
	1206131		1	†SHOCK ABSORBER, N/S (L.H.)	
	K.23386	2		Gasket—Lid	
	5038324		2	Gasket—Lid	
				<b>Note.</b> —Reconditioned Shock Absorbers are available in part exchange for the original.	
				<b>RADIATOR</b>	
				Page 93	
93	1201607	1		<b>RADIATOR BLOCK (Core)</b>	
	1201304	1		Tank body	} †O/S (R.H.)
	P.115227	1		Outlet pipe	
	1201308	1		Tank body	} †N/S (L.H.)
	1201305	1		Inlet pipe	
	1206058		1	<b>RADIATOR BLOCK (Core)</b>	
	1206060		1	Tank body	} †O/S (R.H.)
	1206057		1	Outlet pipe	
	1206061		1	Tank body	} †N/S (L.H.)
	1206056		1	Inlet pipe	
	1201480	1		<b>EXPANSION BOX—Engine (Motor)</b>	
	1206948		1	<b>EXPANSION BOX—Engine (Motor)</b>	
	1201481	1		<b>INLET HOSE</b>	
	1206038		1	<b>INLET HOSE</b>	
	P.43863	1		Clip	} Inlet hose
	P.42885	1		Clip	
	9782321		2	Clip	
	1201320	1		<b>OUTLET HOSE</b>	
	1206039		1	<b>OUTLET HOSE</b>	
	P.42885	2		Clip	} Outlet hose
	9782321		2	Clip	
				†See Instructions for ordering.	

When ordering please quote Part and Chassis Numbers—NOT Plate Ref.



Page No.	Part Number	Series I Qty.	Series II Qty.	DESCRIPTION	REMARKS
				<b>EXHAUST SYSTEM</b> Page 97	
97	1201479 .....	1		<b>REAR EXHAUST PIPE</b> ... ..	
	1206141 .....		1	<b>INTERMEDIATE EXHAUST PIPE and SILENCER (Muffler)</b> ... ..	
	1201565 .....	1		<b>SILENCER (Muffler) c/w Tail Pipe</b> ...	Not Switzerland and Germany
	1206011 .....	1		<b>SILENCER (Muffler) c/w Tail Pipe</b> ...	Switzerland and Germany
	1206142 .....		1	<b>TAIL PIPE</b> ... ..	See note * below
	1206143 .....		1	<b>*SILENCER (Muffler) c/w Tail Pipe</b> ...	
				*Note.—1206143 is fitted as an alternative to Tail Pipe 1206142 for export territories with special silencing regulations.	
				<b>ELECTRICAL EQUIPMENT</b> Pages 101—107	
				<b>LAMPS</b>	
102	1206115 .....		1	<b>MAP LIGHT</b> ... ..	
			2	Screw, No. 4 ... 3/8" Bdg. Hd.—Fixing map light ...	Not supplied
				<b>SWITCHES</b>	
103	1046564 .....	1		<b>PANEL LIGHT SWITCH—Type 57SA</b> ... 31947	
	1046563 .....		1	<b>PANEL/MAP LIGHT SWITCH—Type 57SA</b> ... 31946	
				Escutcheon—Panel/map light switch—see Facia, Body Fittings section.	
				<b>CABLES, GROMMETS AND CONNECTORS</b>	
106	1201346 .....	1		<b>CHASSIS HARNESS</b> ... .. 54942041	
	1206111 .....		1	<b>CHASSIS HARNESS</b> ... ..	
				<b>TOOLS</b> Page 108	
108	1201623 .....	1		Hammer (Copper and nylon) } ... ..	Except Germany Germany only
	1206003 .....	1		Spanner (Octagonal hub nut) } "Knock-on"	
	1206068 .....		1	Hammer (Double copper headed) } road wheels	
	1206003 .....		1	Spanner (Octagonal hub nut) } ... ..	

When ordering please quote Part and Chassis Numbers—NOT Plate Ref.

Page No.	Part Number	Series I Qty.	Series II Qty.	DESCRIPTION	REMARKS
				<b>MODIFICATIONS</b>	

When ordering please quote Part and Chassis Numbers—NOT Plate Ref.

Page No.	Part Number	Series	Series	DESCRIPTION	REMARKS
		I Qty.	II Qty.		
				<b>BODY MOUNTING</b> Pages 109—113	
				<b>BODY FITTINGS</b> Pages 114—129	
118	2201308	1		<b>BODY SHELL</b> ... ..	
	2212362		1	<b>BODY SHELL</b> ... ..	
				<b>UNDERFRAME SECTION</b>	
	2122368	1		†Rear side member, O/S (R.H.) ... ..	
	2122369	1		†Rear side member, N/S (L.H.) ... ..	
	2208844		1	†Rear side member, O/S (R.H.) ... ..	
	2208845		1	†Rear side member, N/S (L.H.) ... ..	
				<b>BODY SHELL SECTION</b>	
	2207850	1		Door shell, O/S (R.H.) ... ..	
	2207851	1		†Door shell, N/S (L.H.) ... ..	
	2212274		1	†Door shell, O/S (R.H.) ... ..	
	2212275		1	†Door shell, N/S (L.H.) ... ..	
	2207543	1		Rear seat squab panel } c/w Hood ... ..	
	2212350		1	Rear seat squab panel } tray cover ... ..	
	2207544	1		†Hood tray cover, O/S (R.H.) ... ..	
	2207545	1		†Hood tray cover, N/S (L.H.) ... ..	
	2212298		1	†Hood tray cover, O/S (R.H.) ... ..	
	2212299		1	†Hood tray cover, N/S (L.H.) ... ..	
	9067010	2		Washer, $\frac{3}{16}$ " plain ... ..	
	9551034 (N.51034)	2		Nut, No. 10 ANF Nyloc } Hood tray ... ..	
	9067014 (W.50)		2	Washer, $\frac{1}{4}$ " plain ... } side covers ... ..	
	9206532		2	Spirenut ... } to body ... ..	
	2207501	2	2	Sleeve nut ... } ... ..	
				<b>WINDSCREEN (Windshield)</b>	
121	2201316	1		†Side pillar, O/S (R.H.) } Windscreen ... ..	
	2201317	1		†Side pillar, N/S (L.H.) } (windshield) ... ..	
	2212060		1	†Side pillar, O/S (R.H.) } frame ... ..	
	2212061		1	†Side pillar, N/S (L.H.) } ... ..	
	2211906	1		†Drip moulding, O/S (R.H.) } Side ... ..	
	2211907	1		†Drip moulding, N/S (L.H.) } pillar ... ..	
	2207780	1		Weatherstrip } Screen ... ..	
	2212064		1	Weatherstrip } to scuttle ... ..	
	2211912	1		†Weatherstrip, O/S (R.H.) } Side pillar ... ..	
	2211913	1		†Weatherstrip, N/S (L.H.) } —Upper ... ..	
	2211904	1		†Weatherstrip, O/S (R.H.) } Side pillar ... ..	
	2211905	1		†Weatherstrip, N/S (L.H.) } —Lower ... ..	
	2212426		1	†Weatherstrip, O/S (R.H.) } Side ... ..	
	2212427		1	†Weatherstrip, N/S (L.H.) } pillar ... ..	
	2211914	2		Retainer ... } Side ... ..	
	2212066		1	†Retainer, O/S (R.H.) } pillar ... ..	
	2212067		1	†Retainer, N/S (L.H.) } weatherstrip ... ..	
	49016004	6		Screw, No. 6 $\times \frac{1}{4}$ " } Retainer to ... ..	
	49016005		8	Screw, 6 BA $\times \frac{5}{16}$ " } side pillar ... ..	
				†See Instructions for ordering.	

When ordering please quote Part and Chassis Numbers—NOT Plate Ref.

Page No.	Part Number	Series I Qty.	Series II Qty.	DESCRIPTION	REMARKS
				<b>BODY FITTINGS</b>	
				<b>DOOR GLASS AND FITTINGS</b>	
121	2201880	2		<b>LIFTING GLASS</b> ... ..	
	2212262		2	<b>LIFTING GLASS</b> ... ..	
	2201332	1		†Bottom glass channel, O/S (R.H.) ... ..	
	2201333	1		†Bottom glass channel, N/S (L.H.) ... ..	
	2212344		1	†Bottom glass channel, O/S (R.H.) ... ..	
	2212345		1	†Bottom glass channel, N/S (L.H.) ... ..	
	2211902	1		†Glass channel, O/S (R.H.) ... ..	
	2211903	1		†Glass channel, N/S (L.H.) ... ..	
	2212258		1	†Glass channel, O/S (R.H.) ... ..	} Lower } Front ...
	2212259		1	†Glass channel, N/S (L.H.) ... ..	
	2212251		2	Glass channel—Upper ... ..	
	9067018		4	Washer, 1/4" plain—Lower channel ... ..	
	2207590	1		†Support, O/S (R.H.) ... ..	
	2207591	1		†Support, N/S (L.H.) ... ..	} Door glass } —Front ...
	2212256		1	†Support, O/S (R.H.) ... ..	
	2212257		1	†Support, N/S (L.H.) ... ..	
	2211928	1		†Insert, O/S (R.H.) ... ..	} Glass } support ...
	2211929	1		†Insert, N/S (L.H.) ... ..	
	39213122 (SC.213122)	6	4	Screw, No. 10 UNF × 3/4" ... ..	} Support } to door ...
	39303060 (SC.303060)		2	Screw, No. 10 UNF × 3/8" P.H. ... ..	
	9663122 (W.407)		2	Washer, 3/16" shakeproof ... ..	
122	2207838	4	4	Seal, 27 7/8" long—Door waist ... ..	} Up to } chassis
	9132501 (P.43647)	28	28	Clip—Seal to door ... ..	
	2207838		2	Seal, 27 7/8" long—Door waist—Inner ... ..	
	9132501 (P.43647)		14	Clip—Seal to door ... ..	} From } chassis
	2212266		1	†Seal, O/S (R.H.) ... ..	
	2212267		1	†Seal, N/S (L.H.) ... ..	
	2212159		12	Clip } Seal ... ..	
	2212363		2	Clip } to door ... ..	
				<b>FACIA</b>	
	2207818	1		Instrument Panel ... ..	} †R.H.D. } ... ..
	2212194		1	Instrument Panel ... ..	
	2207819	1		Instrument Panel ... ..	} †L.H.D. } ... ..
	2212195		1	Instrument Panel ... ..	
123	1201524	1		Escutcheon—Panel light switch ... ..	
	1206118		1	Escutcheon—Panel/Map light switch ... ..	
				<b>FOLDING HEAD FITTINGS</b>	
	2212216	1		<b>HOOD TOPPING COMPLETE</b> ... ..	
	2212355		1	<b>HOOD TOPPING COMPLETE</b> ... ..	
	9128518 (H.63931)		10	Button } Hood to cantrail ... ..	
	9128519		10	Socket } and waist valance ... ..	
			2	Rivet ... ..	} Hood } to header ...
	9067091		2	Washer, 5/32" plain ... ..	
	9670423		2	Washer, No. 4 cup } rail ... ..	
				†See Instructions for ordering.	Not supplied

When ordering please quote Part and Chassis Numbers—NOT Plate Ref.

Page No.	Part Number	Series	Series	DESCRIPTION	REMARKS
		I Qty.	II Qty.		
<b>BODY FITTINGS</b>					
<b>FOLDING HEAD FITTINGS—continued</b>					
123	2212214	1		<b>HOOD FRAME</b> ... ..	
	2212421		1	<b>HOOD FRAME</b> ... ..	
	9127514	2	2	Peg, 2 B.A. $\times \frac{3}{8}$ "—Hood to frame—rear	
	9034050	2	2	Nut, 2 B.A.—Peg to frame	
	9127505	2	2	Button—Hood to frame—rear	
	9128446		2	Stud—Header rail	
	2207630	1		Header rail	
	2212358		1	Header rail	
	9129013		2	Turnbutton—Header rail to cantrail	
	39010042		4	Screw, No. 4 $\times \frac{1}{4}$ "—Turnbutton	
	2212374		1	†Cantrail, O/S (R.H.)	
	2212375		1	†Cantrail, N/S (L.H.)	
	2212404		2	Bracket—Upper	} Lower } Cantrail
	2212402		1	†Bracket, O/S (R.H.)	
	2212403		1	†Bracket, N/S (L.H.)	
	2212443		4	Spring clip	
	39302041		16	Screw, No. 8 $\times \frac{1}{4}$ "	} Bracket and clip fixing
	9067604		16	Washer, plain	
	9663113		16	Washer, shakeproof	
	2212379		2	Rubber buffer—Cantrail end	
	2212380		8	Carrier—Hood fixing stud	
	2212202	1		†Retainer, O/S (R.H.)	} Hood to body
	2212203	1		†Retainer, N/S (L.H.)	
	2211954		1	†Retainer, O/S (R.H.)	} Centre
	2211955		1	†Retainer, N/S (L.H.)	
	2212144	1		Retainer	
	2211953		1	Retainer	
	9732085 (TS.32085)	24	26	Screw, No. 6 $\times \frac{1}{2}$ " Retainers to body	
	2201657	2		Catch—Hood tray side cover	
	2201732	4		Shim	} Catch to body
	39303051 (SC.303051)	8		Screw, No. 10 UNF $\times \frac{5}{8}$ "	
	2212302		2	Slam lock	
	9550031		4	Nut, No. 10 UNC—Control cable	
124	39303071		8	Screw, No. 10 UNF $\times \frac{7}{16}$ "	} Slam lock to seat
	9067094		8	Washer, $\frac{3}{16}$ " plain	
	9663123		8	Washer, $\frac{3}{16}$ " shakeproof	} back panel
	2212296		1	†Striker bracket, O/S (R.H.)	
	2212297		1	†Striker bracket, N/S (L.H.)	
	2212307		2	"U" Bolt	
	9067008		4	Washer, $\frac{3}{16}$ " plain	} Striker to body
	9663122		4	Washer, $\frac{3}{16}$ " shakeproof	
	9510036		4	Nut, No. 10 UNF	
	2212304		1	Control cable—Slam lock	
†See instructions for ordering					

When ordering please quote Part and Chassis Numbers—NOT Plate Ref.

Page No.	Part Number	Series I Qty.	Series II Qty.	DESCRIPTION	REMARKS
				<b>BODY FITTINGS</b>	
				<b>TRIM SECTION</b>	
126	5106377		A/R	Vynide—Lake Blue—VT1173 (Cordova Grain Plain)	
	5106702		A/R	Vynide—Lake Blue—VT1146 (Cordova Grain Plain)	
127	5107752		A/R	Vyweld—Lake Blue	
	5101051		A/R	Carpet—Light Blue	
	5109353		A/R	Furflex piping—26 $\frac{3}{4}$ " long—Lake Blue, 'A' Post...	
	5108356		2	Furflex piping—54" long—Lake Blue, Door	
	5109694		1	Gearbox carpet (Moulded)—Lake blue	
128	9131156 (P.43574)	40	34	Trim Clip—Door and quarter trim pad	Door only Series II
	2201597	2		Trim Clip—Quarter trim pad	
	5109948		1	†Trim pad, O/S (R.H.)	} Lake Blue } Scuttle
	5109952		1	†Trim pad, N/S (L.H.)	
	5108381		A/R	Plastic finisher—Lake Blue—Scuttle trim pad	
				<b>PAINT</b>	
	5100590	A/R		Embassy Black (1 pint)	I.C.I. PO30,122
	5100591	A/R		Embassy Black (4 pints)	PO30,122
	5107910	A/R		Glen Green (1 pint)	PO30,3344
	5107911	A/R		Glen Green (4 pints)	PO30,3344
	5100772	A/R		Thistle Grey (1 pint)	PO30,2837
	5100773	A/R		Thistle Grey (4 pints)	PO30,2837
	5109897		A/R	Lake Blue (1 pint)	PO30,3434
	5109898		A/R	Lake Blue (4 pints)	PO30,3434
	5109899		A/R	Wedgewood Blue (1 pint)	PO30,3435
	5109900		A/R	Wedgewood Blue (4 pints)	PO30,3435
	5101040		A/R	Seacrest Green (1 pint)	PO30,3033
	5101041		A/R	Seacrest Green (4 pints)	PO30,3033
	5101424	A/R	A/R	Moonstone (1 pint)	PO30,3917
	5101425	A/R	A/R	Moonstone (4 pints)	PO30,3917
	5107731	A/R	A/R	Carnival Red (1 pint)	PO30,8385
	5107732	A/R	A/R	Carnival Red (4 pints)	PO30,8385
	5108970	A/R	A/R	Metallic Grey (1 pint)	PO31,2580
	5108971	A/R	A/R	Metallic Grey (4 pints)	PO31,2580
					} Interior only
				†See Instructions for ordering	

When ordering please quote Part and Chassis Numbers—NOT Plate Ref.

Page No.	Part Number	Series I Qty.	Series II Qty.	DESCRIPTION	REMARKS
				<b>BODY FITTINGS</b>	
				<b>MISCELLANEOUS</b>	
	2201086 .....	2		Hinge } Armrest ... ..	
	2207656 .....		1	Hinge } lid ... ..	
	9731068 (TS.31068) .....	6		Screw, No. 4 × $\frac{3}{8}$ " ... ..	
	39303072 (SC.303072) .....	2		Screw, No. 10 UNF × $\frac{7}{16}$ " ... ..	
	9067094 .....	2		Washer, $\frac{3}{16}$ " plain ... ..	
	2201203 .....	1		<b>LOCK</b> } Glovebox ... ..	
	2207882 .....		1	<b>LOCK</b> } ... ..	
	2212260 .....		1	†Plastic finisher, O/S (R.H.) ... ..	
	2212261 .....		1	†Plastic finisher, N/S (L.H.) ... ..	
	9132933 .....		4	Tubular clips—Finisher to door ... ..	
				<b>MODIFICATIONS</b>	

When ordering please quote Part and Chassis Numbers—NOT Plate Ref.

Page No.	Part Number	Series I Qty.	Series II Qty.	DESCRIPTION	REMARKS
<b>SPECIAL ACCESSORIES</b> Pages 131—133					
131	1202166	1	1	<b>HEATER AND DEMISTER KIT</b> ... ..	For detail parts see publication Part No. 6600719
	1202168	1	1	<b>BLOWER KIT</b> ... ..	
<b>MISCELLANEOUS</b>					
132	5220146	1	1	<b>AMMETER KIT</b> ... ..	For initial fitting, items marked * are also required
	5220273	2	2	<b>DRIVING LAMP c/w CARRIER</b> ... ..	
	5037425	2	2	Glass (Lens) c/w cowl ... ..	
	5037426	2	2	Bezel—Glass (Lens) ... ..	
	5037427	2	2	Seating gasket—Glass (Lens) ... ..	
	5037428	2	2	Bulb, 12v., 48w. ... ..	
	1201418	2	2	Lamp carrier—Driving lamp ... ..	Mounted on 1201417
	19005070	4	4	Bolt, $\frac{5}{16}$ " BSF $\times \frac{7}{8}$ "	Lamp carrier to mounting bracket
	9067022 (W.195)	4	4	Washer, $\frac{5}{16}$ " plain	
	9664202 (W.406)	4	4	Washer, $\frac{5}{16}$ " shakeproof	
	9600051 (N.218)	4	4	Nut, $\frac{5}{16}$ " BSF	
	5220276	1	1	<b>*SWITCH KIT—Driving Lamp</b> ... ..	
	1046563	1	1	Switch—Driving lamp—Type 579A ... 31987	
	1201527	1	1	Escutcheon—Switch ... ..	
	1201420	1	1	<b>BADGE BAR</b> ... ..	Mounted on 1201417
	19005070	4	4	Bolt, $\frac{5}{16}$ " BSF $\times \frac{7}{8}$ "	Badge bar to mounting bracket
	9067022 (W.195)	4	4	Washer, $\frac{5}{16}$ " plain	
	9664202 (W.406)	4	4	Washer, $\frac{5}{16}$ " shakeproof	
	9600051 (N.218)	4	4	Nut, $\frac{5}{16}$ " BSF	
	1201417	1	1	<b>*BRACKET—Mounting Badge Bar and Driving Lamp extension bracket</b> ... ..	
	19108113 (B.108113)	2	2	Bolt, $\frac{1}{2}$ " UNF $\times 1\frac{3}{8}$ "—Bracket to frame ...	
	H.101100	A/R	A/R	<b>BADGE CLIP (Screw fixing)</b> ... ..	
	H.101101	A/R	A/R	<b>BADGE CLIP (Pillar stud fixing)</b> ... ..	
	2201416	1	1	<b>BONNET FLASH</b> ... ..	
	P.42927	3	3	Spirenut—Flash to bonnet ... ..	
	2513082	1	1	<b>BOOT FLOOR MAT</b> ... ..	
	5220054	1	1	<b>CIGAR LIGHTER KIT</b> ... ..	
	5030170	1	1	Knob and element ... ..	
	5030171	1	1	Element ... ..	

When ordering please quote Part and Chassis Numbers—NOT Plate Ref.



Page No.	Part Number	Series I Qty.	Series II Qty.	DESCRIPTION	REMARKS
				<b>SPECIAL ACCESSORIES—continued</b>	
				<b>MISCELLANEOUS—continued</b>	
132	2513362	1	1	† <b>COCKPIT COVER—R.H.D.</b> ... ..	
	2513363	1	1	† <b>COCKPIT COVER—L.H.D.</b> ... ..	
	5240244	1	1	Zip fastener ... ..	
	9128049	2	2	Stud fastener—Screen pillar ... ..	
	9128048	5	5	Stud fastener—"B" post, glovebox and trunk lid channel ... ..	Cockpit cover to body ...
	9663122	5	5	Washer, $\frac{3}{16}$ " shakeproof ... ..	
	9600521	5	5	Nut, 2 BA ... ..	
	5240144	2	2	<b>CUSHION (Black)</b> } ... ..	Rear Seat ...
	5240245	2	2	<b>CUSHION (Red)</b> } ... ..	
	5240288	2	2	<b>CUSHION (Blue)</b> } ... ..	
	5220274	1	1	<b>ELECTRIC CLOCK</b> ... ..	
133	H.119761	2	2	<b>EXTERIOR MIRROR</b> ... ..	
	P.48790	1	1	<b>FIRE EXTINGUISHER</b> ... ..	
	2201499	1	1	<b>HARDTOP COMPLETE</b> ... ..	For detail components, see Body Fittings
	5240134	A/R	A/R	<b>INTERIOR CLEANER</b> ... ..	
	2201303	1	1	<b>LUGGAGE GRID</b> ... ..	
	P.103989	1	1	<b>PETROL (FUEL) TANK LOCKING CAP</b>	
	H.86858	A/R	A/R	<b>POLISH (Wax)</b> ... ..	
	5240113	A/R	A/R	<b>POLISH (Liquid)</b> ... ..	
	1201363	1	1	<b>RADIATOR BLIND</b> ... ..	
	5220149	1	1	<b>REVERSE LAMP KIT</b> ... ..	
	H.111777	2	2	<b>SAFETY BELT</b> ... ..	
	1201615	1	1	<b>SCREENWASHER KIT.</b> ... ..	
	1201388	1	1	Container ... ..	Not supplied
				Bracket—Container ... ..	
	9734086 (TS.34086)	2	2	Screw, No. 10 × $\frac{1}{2}$ "—Bracket to body ... ..	
	1201389	1	1	Control assembly ... ..	
	P.43555	A/R	A/R	Hose—Control to container 70", control to jet 20", and control to jet 41" ... ..	
	2201504	2	2	Jet—Screenwasher ... ..	
	P.43878	1	1	Grommet—Bulkhead ... ..	
				† See Instructions for ordering.	

When ordering please quote Part and Chassis Numbers—NOT Plate Ref.

Page No.	Part Number	Series	Series	DESCRIPTION	REMARKS
		I Qty.	II Qty.		
				<b>SPECIAL ACCESSORIES—continued</b>	
				<b>MISCELLANEOUS—continued</b>	
133	1207928	1	1	<b>MULTI-PURPOSE TYRE INFLATOR KIT</b>	
	5220127	1	1	<b>UNDER BONNET LAMP KIT</b> ... ..	
	1046619	1	1	Lamp ... ..	
	5037424	1	1	Glass (Lens) ... ..	
	K.26795	1	1	Bulb, 12v., 6w. ... ..	
				Bracket—Lamp ... ..	Not supplied
	39303060 (SC.303060)	2	2	Screw, No. 10 UNF $\times \frac{3}{8}$ " } Lamp to ... ..	
	9510030 (N.10030)	2	2	Nut, No. 10 UNF ... } bracket ... ..	
	P.45208	1	1	Switch—Lamp ... ..	
				Bracket—Switch ... ..	Not supplied
	9664202	1	1	Washer, $\frac{5}{16}$ " shakeproof } Switch to ... ..	
	9510050 (N.10050)	1	1	Nut, $\frac{5}{16}$ " UNF ... } bracket ... ..	
	5240153	A/R	A/R	<b>"TOUCH IN"—Carnival Red</b> ... ..	
	H.101171	A/R		<b>"TOUCH IN"—Embassy Black</b> ... ..	
	5240166	A/R		<b>"TOUCH IN"—Thistle Grey</b> ... ..	
	5240179	A/R	A/R	<b>"TOUCH IN"—Moonstone</b> ... ..	
	5240154	A/R		<b>"TOUCH IN"—Glen Green</b> ... ..	
	H.111723		A/R	<b>"TOUCH IN"—Seacrest Green</b> ... ..	
	5240280		A/R	<b>"TOUCH IN"—Wedgewood Blue</b> ... ..	
	5240279		A/R	<b>"TOUCH IN"—Lake Blue</b> ... ..	
	5105900	1	1	<b>WHITEWALL TYRE TRIMS (Set of 4)</b> ... ..	
	2207887		1	<b>MAP POCKET KIT—Red</b> ... ..	
	2207888		1	<b>MAP POCKET KIT—Black</b> ... ..	

When ordering please quote Part and Chassis Numbers—NOT Plate Ref.

NUMERICAL INDEX  
OF  
Part Numbers & Parts List  
Page Numbers

**NOTE**

Items marked "\*" are newly introduced on Sunbeam Alpine Series II, but may have had use on other Rootes Group Products.

Items marked "S" are those parts which are recommended for initial stocking by dealers.

# NUMERICAL INDEX

Part No.	Page No.	Part No.	Page No.	Part No.	Page No.	Part No.	Page No.
<b>7-FIGURE NUMBERS</b>							
1046563	15	1206004	11	2201303	23	*2212304	19
	22	1206005	11	2201308	17	*2212307	19
1046564	15	1206011	15	2201316	17	*2212344	18
1046593	7	*1206036	13	2201317	17	*2212345	18
1046619	24	*1206038	S 14	2201332	18	*2212350	17
1046674	5	*1206039	S 14	2201333	18	*2212355	18
1046821	5	*1206045	S 14	2201416	22	*2212358	19
*1200442	10	*1206050	14	2201499	23	*2212362	17
*1200443	10	*1206056	14	2201504	23	*2212363	18
*1200444	10	*1206057	14	2201597	20	*2212374	19
*1200445	10	*1206058	S 14	2201657	19	*2212375	19
1201091	4	*1206060	14	2201732	19	*2212379	19
1201217	8	*1206061	14	2201880	18	*2212380	19
	13	*1206068	15	2207501	17	*2212402	19
1201270	14	*1206069	8	2207543	17	*2212403	19
1201271	14		13	2207544	17	*2212404	19
1201273	11	*1206070	8	2207545	17	*2212421	18
1201304	14		13	2207590	18	2212426	S 17
1201305	14	*1206072	13	2207591	18	2212427	S 17
1201308	14	*1206073	8	2207630	19	2212443	17
1201320	14	*1206074	8	*2207656	21	2513082	22
1201339	13		13	2207780	17	2513362	23
1201346	15	*1206075	5	2207818	18	2513363	23
1201354	8	*1206077	8	2207819	18	5030170	22
	13		13	2207838	18	5030171	22
1201363	23	*1206079	13	2207850	17	5030173	8
1201388	23	*1206080	5	2207851	17	5030673	13
1201389	23	*1206094	11	*2207882	21	5036981	12
1201405	11	*1206095	11	*2207887	S 24	5036982	12
1201406	11	*1206111	15	*2207888	S 24	5037252	12
1201411	11	*1206115	15	*2208844	17	5037259	13
1201417	22	*1206118	18	*2208845	17	5037260	13
1201418	22	*1206130	S 14	2211902	18	5037261	13
1201420	22	*1206131	S 14	2211903	18	5037262	13
1201466	13	*1206136	11	2211904	17	5037263	13
1201479	15	*1206137	11	2211905	17	5037372	5
1201480	14	*1206139	5	2211906	17	5037373	5
1201481	14	*1206141	S 15	2211907	17	5037424	24
1201484	14	*1206142	S 15	2211912	17	5037425	22
1201487	14	*1206143	S 15	2211913	17	5037426	22
1201490	13	*1206158	5	2211914	17	5037427	22
1201524	18	*1206826	4	2211914	17	5037428	22
1201527	22	*1206872	S 4	2211928	18	5037490	5
1201565	15	*1206873	S 4	2211929	18	5037491	5
1201583	8	*1206876	S 3	*2211953	19	5037493	5
	13	*1206880	S 2	*2211954	19	5037494	5
1201594	5	*1206882	S 2	*2211955	19	5037533	8
1201607	14	*1206884	S 2	*2212060	17	5037568	12
1201610	8	*1206893	S 3	*2212061	17	*5037604	12
1201615	23	*1206897	3	*2212064	S 17	*5037628	5
1201623	15	*1206899	S 4	*2212066	17	*5037771	5
1201627	5	*1206900	S 4	*2212067	17	*5037772	5
1201673	5	*1206901	4	2212144	19	*5037785	7
1201675	5	*1206902	S 4	*2212159	18	*5037786	7
1201903	4	*1206903	8	*2212194	18	5037980	8
1202166	22	*1206904	3	*2212195	18	*5038192	S 8
1202168	22	*1206906	4	2212202	19	*5038243	S 12
1202246	11	*1206909	1	2212203	19	*5038245	S 12
1202354	10	*1206948	14	2212214	18	*5038247	12
1202355	10	*1207164	10	2212216	18	*5038248	12
1202356	10	*1207201	10	*2212251	18	*5038249	12
1202357	10	*1207239	14	*2212256	S 18	*5038250	12
1202370	10	*1207438	S 12	*2212257	S 18	*5038259	12
1202371	10	*1207442	7	*2212258	18	*5038320	11
*1202716	4	*1207471	11	*2212259	18	*5038321	11
1203056	10	*1207563	S 11	*2212260	21	*5038324	14
*1203562	7	*1207633	10	*2212261	21	*5038343	S 13
1205165	10	1207928	24	*2212262	18	*5038344	13
*1205876	10	*1208260	11	*2212266	18	*5038345	13
*1205877	10	*1800016	S 7	*2212267	18	*5038346	13
*1205878	10	*1800023	5	*2212274	S 17	*5038347	13
*1205886	S 10	*1800024	5	*2212275	S 17	*5038375	8
*1205891	10	2122368	17	*2212296	19	*5038376	S 8
*1205975	10	2122369	17	*2212297	19	*5038377	7
1206003	15	2201086	21	*2212298	17	*5038378	7
		2201203	21	*2212299	17	*5038379	7
				*2212302	19	*5038380	7



# NUMERICAL INDEX

Part No.	Page No.	Part No.	Page No.	Part No.	Page No.	Part No.	Page No.
K26242	8	P42927	22	P54548	14	P108551	7
K26265	8	P43398	12	P55514	10	P108941	11
K26795	24	P43447	11	P62288	12	P109410	10
K29447	7	P43555	23	P84837	4	P109411	10
K29496	8	P43863	14	P86143	7	P109412	10
K29497	8	P43878	23	P86825	4	P109665	11
K29578	8	P45208	24	P87227	10	P109852	7
K29804	8	P48512	3	P103627	4	P109951	7
K29805	7	P48520	4	P103641	4	P109952	7
K29861	12	P48554	3	P103685	2	P111250	5
K29863	12	P48568	2	P103686	2	P112116	4
K29866	12	P48678	8	P103989	23	P113399	8
K29867	12	P48726	4	P106976	3	P113452	10
		P48769	8	P107799	4	P113467	10
		P48790	23	P107857	3	P115227	14
<b>"P" SECTION</b>		P49341	10	P108155	10	P116082	3
P42885	14	*P49364	7	P108160	10	P116368	12
		P54545	13			P118812	1
			14				

USE ONLY  
ROOTES GENUINE PARTS



YOUR GUARANTEE OF SATISFACTION